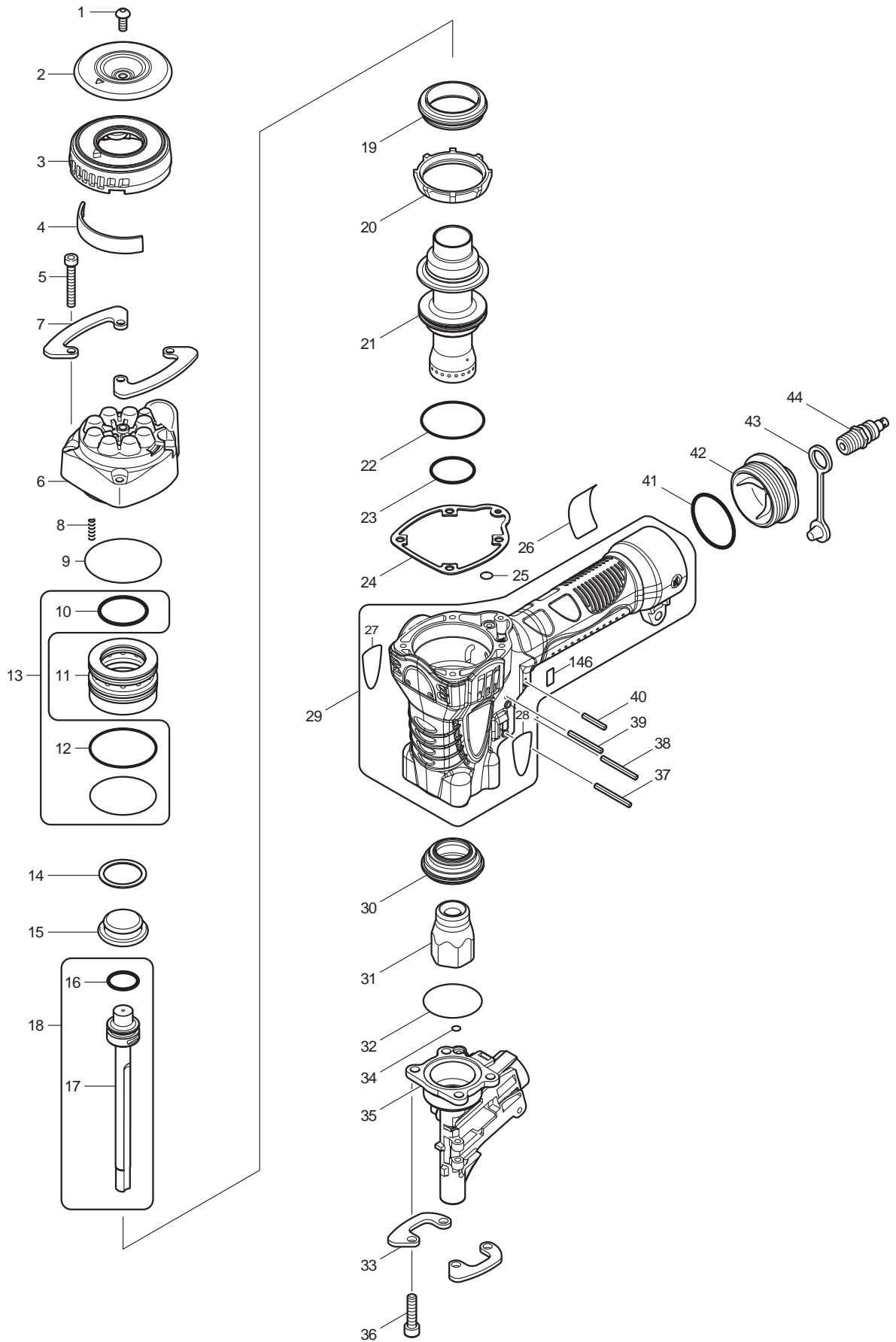


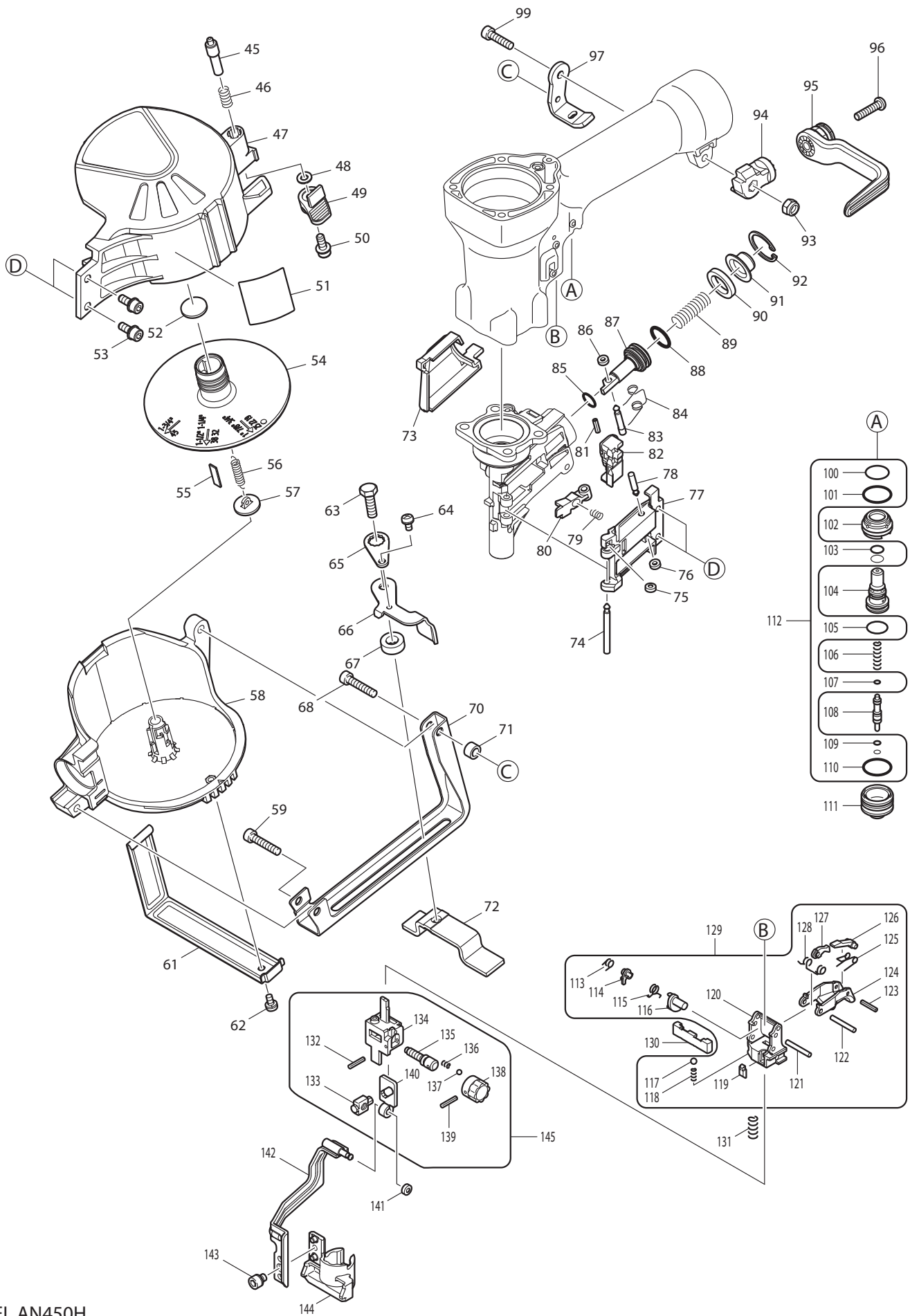


11 - 2010

AN450H

High Pressure Roofing Coil Nailer





Item No	Type	Ref	Part No	Description	Qty	Unit
1			266501-0	HEX.SOCKET BUTTON HEAD BOLT M5	1	PC.
2			346013-0	EXHAUST COVER CAP	1	PC.
3			450834-5	EXHAUST COVER	1	PC.
4			413128-9	FILTER	1	PC.
5			922257-2	HEX. SOCKET HEAD BOLT M5X35	4	PC.
6			318109-7	TOP CAP	1	PC.
7			346011-4	REAR HOUSING GUARD	2	PC.
8			233484-9	COMPRESSION SPRING 4	8	PC.
9			213604-1	O-RING 50	1	PC.
10	1		213447-1	O-RING 30	1	PC.
	2		213423-5	O-RING 30	1	PC.
11			419736-4	HEAD VALVE	1	PC.
12			213558-2	O-RING 42	2	PC.
13			194735-4	AIR LEAK REPAIR SET	1	PC.
		INC.		Item No. 10, 13, 112	1	PC.
14			267342-7	FLAT WASHER 26	1	PC.
15			424225-6	REAR CUSHION	1	PC.
16			213282-7	O-RING 17	1	PC.
17			158827-3	DRIVER COMPLETE	1	PC.
18			135248-6	DRIVER ASSEMBLY	1	PC.
		INC.		Item No. 16,17	1	PC.
19			421981-9	VALVE SEAT	1	PC.
20			331739-7	CYLINDER STAY	1	PC.
21			331847-4	CYLINDER	1	PC.
22			213509-5	O-RING 40	1	PC.
23			213413-8	O-RING 28	1	PC.
24			162246-7	TOP CAP GASKET	1	PC.
25			213021-5	O-RING 5	1	PC.
26			866139-7	AN450H NAME PLATE	1	PC.
27			819321-7	MAKITA LOGO LABEL R	1	PC.
28			819322-5	MAKITA LOGO LABEL L	1	PC.
29			188649-7	HOUSING SET	1	PC.
		INC.	810473-7	CAUTION LABEL	1	PC.
		INC.		Item No. 27, 28, 146	1	PC.
30			324968-9	CYLINDER GUIDE	1	PC.
31			424159-3	FRONT CUSHION	1	PC.
32			213528-1	O-RING 38	1	PC.
33			346010-6	FRONT HOUSING GUARD	2	PC.
34			213970-6	O-RING 4	1	PC.
35			158828-1	DRIVER GUIDE COMPLETE	1	PC.
36			266087-4	HEX.BOLT M6X25	4	PC.
37			951078-5	SPRING PIN	1	PC.
38			951078-5	SPRING PIN	1	PC.
39			258029-2	SPRING PIN 3-30	1	PC.
40			951069-6	SPRING PIN 3-20	1	PC.
41	1		213521-5	O-RING 36	1	PC.
	2		213506-1	O-RING 36	1	PC.
42			318108-9	INLET CAP	1	PC.
43			286280-4	CAP 9	1	PC.
44			243105-5	ONE-TOUCH JOINT H22PM	1	PC.
45			322532-0	LOCK PIN	1	PC.
46			231307-5	COMPRESSION SPRING 6	1	PC.
47			158825-7	MAGAZINE CAP COMPLETE	1	PC.
		INC.	810432-1	CAUTION LABEL	1	PC.

Item No	Type	Ref	Part No	Description	Qty	Unit
48			267010-2	FLAT WASHER 5	1	PC.
49			414933-7	LOCK LEVER	1	PC.
50			266233-9	HEX. SOCKET HEAD BOLT M5X12	1	PC.
51			807990-6	AN450H MAGAZINE LABEL	1	PC.
52			414934-5	HOLDER CAP	1	PC.
53			266233-9	HEX. SOCKET HEAD BOLT M5X12	2	PC.
54			415169-1	CHANGE PLATE	1	PC.
55			423232-6	RUBBER PLATE 6-20	1	PC.
56			231793-0	TENSION SPRING 5	1	PC.
57			414934-5	HOLDER CAP	1	PC.
58			158903-3	MAGAZINE COMPLETE	1	PC.
		INC.	810433-9	CAUTION LABEL	1	PC.
		INC.	810434-7	CAUTION LABEL	1	PC.
59			266099-7	HEX. SOCKET HEAD BOLT M5X25	1	PC.
61			344254-2	MAGAZINE GUARD	1	PC.
62			911110-7	PAN HEAD SCREW M4X8	1	PC.
63			921332-1	HEX. BOLT M6X20	1	PC.
64			911110-7	PAN HEAD SCREW M4X8	1	PC.
65			341718-7	LOCK PLATE	1	PC.
66			343977-9	LEVER PLATE	1	PC.
67			257166-9	RING 9	1	PC.
68			266099-7	HEX. SOCKET HEAD BOLT M5X25	1	PC.
70			343978-7	SINGLE GUIDE	1	PC.
71			257140-7	RING 6	1	PC.
72			165250-5	ADJUSTER PLATE	1	PC.
73			450832-9	COVER	1	PC.
74			256779-3	PIN 4	1	PC.
75			262120-0	URETHANE RING 3	1	PC.
76			262120-0	URETHANE RING 3	1	PC.
77			311914-1	DOOR	1	PC.
78			256778-5	PIN 4	1	PC.
79			233095-0	COMPRESSION SPRING 4	1	PC.
80			311913-3	CHECK CLAW	1	PC.
81			951054-9	SPRING PIN 3-10	1	PC.
82			310098-2	FEEDING CLAW	1	PC.
83			256432-1	PIN 4-4.5	1	PC.
84			231603-1	TORSION SPRING 6	1	PC.
85			213054-0	O-RING 9	1	PC.
86			262120-0	URETHANE RING 3	1	PC.
87			324965-5	PISTON	1	PC.
88			213154-6	O-RING 14	1	PC.
89			233346-1	COMPRESSION SPRING 7	1	PC.
90			262075-9	RUBBER RING 16	1	PC.
91			344452-8	CUP WASHER 5	1	PC.
92			962103-7	RETAINING RING R-24	1	PC.
93			931202-6	HEX. NUT M5	1	PC.
94			162255-6	HOOK BASE	1	PC.
95			419843-3	HOOK	1	PC.
96			265176-2	PAN.HD.SCREW M5X22	1	PC.
97			346012-2	MAGAZINE LOCK	1	PC.
99			266369-4	HEX SOCKET HEAD BOLT M5X20	1	PC.
100			213233-0	O-RING 15	1	PC.
101			213275-4	O-RING 18	1	PC.
102			419732-2	TRIGGER VALVE GUIDE	1	PC.

Item No	Type	Ref	Part No	Description	Qty	Unit
103			213968-3	O-RING 7	2	PC.
104			419733-0	PILOT VALVE	1	PC.
105			213185-5	O-RING 12.5	1	PC.
106			233485-7	COMPRESSION SPRING 4	1	PC.
107	1		213034-6	* O-RING 3	1	PC.
	2		213044-3	* O-RING 3	1	PC.
108	1		324743-3	* TRIGGER VALVE STEM	1	PC.
	2		326189-9	* TRIGGER VALVE STEM	1	PC.
109	1		213979-8	* O-RING 3	2	PC.
	2		213640-7	* O-RING 3	2	PC.
110			213275-4	O-RING 18	1	PC.
111			331741-0	TRIGGER VALVE CASE	1	PC.
112			194735-4	AIR LEAK REPAIR SET	1	PC.
		INC.		Item No. 13, 100, 101, 103, 105, 107, 109, 110	1	PC.
113			233501-5	TORSION SPRING 5	1	PC.
114			310199-6	STOPPER PLATE	1	PC.
115	2		233576-4	* TORSION SPRING 6	1	PC.
116			310310-0	LEVER	1	PC.
117	1		216024-8	* STEEL BALL 4 (Type 1 - 2)	1	PC.
	3		326144-1	* LOCK PIN	1	PC.
118			233490-4	COMPRESSION SPRING 2	1	PC.
119			419743-7	SPRING COVER	1	PC.
120			419844-1	TRIGGER BASE	1	PC.
121			268168-0	PIN 3	1	PC.
122			268168-0	PIN 3	1	PC.
123			951007-8	SPRING PIN 2-12	1	PC.
124			310294-2	TRIGGER	1	PC.
125			231699-2	TORSION SPRING 4	1	PC.
126			310196-2	TRIP LEVER	1	PC.
127			310198-8	LEVER	1	PC.
128			233503-1	TORSION SPRING 4	1	PC.
129	2		135359-7	* TRIGGER ASSY	1	PC.
129	3		135494-1	* TRIGGER ASSY	1	PC.
130			310293-4	CHANGE ROD	1	PC.
131			233489-9	COMPRESSION SPRING 6	1	PC.
132			951010-9	SPRING PIN 2-14	1	PC.
133			310201-5	ADJUSTER PIECE	1	PC.
134			310234-0	UPPER YORK	1	PC.
135			324745-9	ADJUSTER SHAFT	1	PC.
136			233491-2	COMPRESSION SPRING 2	1	PC.
137			216031-1	STEEL BALL 2.3	1	PC.
138			158747-1	ADJUSTER COMPLETE	1	PC.
139			951010-9	SPRING PIN 2-14	1	PC.
140			345775-7	SLIDE PLATE	1	PC.
141			262120-0	URETHANE RING 3	1	PC.
142			165546-4	CONTACT ARM	1	PC.
143			265480-9	HEX. SOCKET HEAD BOLT M5X8	1	PC.
144			165545-6	CONTACT TOP	1	PC.
145			135232-1	ADJUSTER ASS'Y	1	PC.
		INC.		Item No. 132 - 140	1	PC.
146			816919-1	INDICATION LABEL	1	PC.

Item No	Type	Ref	Part No	Description	Qty	Unit
<u>ACCESSORIES</u>						
- See catalogue or visit www.makita.ca for more optional accessories -						
A01	1		192517-8	SAFETY GOGGLE - N/L/A	1	PC.
	2		195246-2	SAFETY GOGGLE	1	PC.
A02			194381-3	OIL SUPPLY SET (18G)	1	PC.
A03			783202-0	HEX. WRENCH 4	1	PC.
A04			824792-5	PLASTIC CARRYING CASE	1	PC.
		INC.	188610-4	SLIDE LATCH RL SET	1	SET

SERVICE CHANGES

1. Changes on Trigger Assy

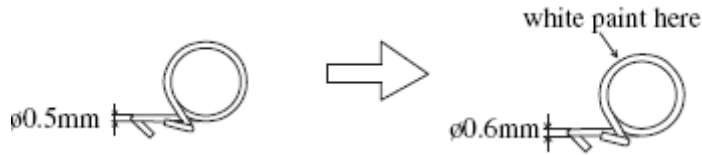
Item No.	Description	Type 1	Type 2	Type 3
115	Torsion Spring 6	233502-3 - N/L/A		233576-4
117	Stell ball / Lock pin		216024-8	326144-1
129	Trigger Assy	135231-3	135359-7	135494-1

Above parts are completely interchangeable as a set.

NOTE:

Wire diameter of Torsion Spring 6 has been changed as illustrated below.

The spring load of New Torsion spring 6 increases, and it enables the operability improvement of the subject models.



2. Changes on Trigger Valve Stem and O Rings (T/I# 94149)

Item No.	Description	Type 1	Type 2
107	O RING 3	213034-6	213044-3
108	TRIGGER VALVE ST	324743-3	326189-9
109	O RING 3	213979-8	213640-7

Above parts are completely interchangeable as a set.